

2-Phase Flat type Stepping Motor

1.8°

KV2810 KA5910

New Products



Application

- Chip mounter
- Lighting system
- Surveillance camera
- Medical devices

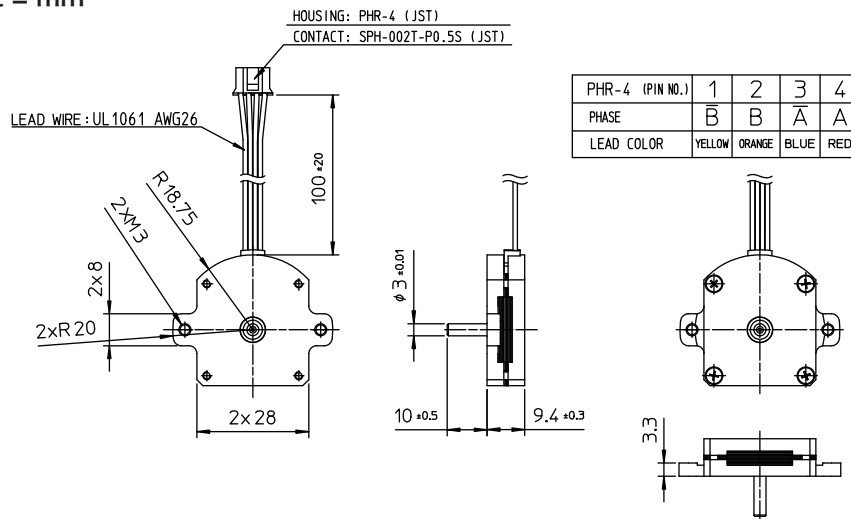
Some specifications are different photos.

STANDARD SPECIFICATIONS

DRIVE METHOD	MODEL	STEP ANGLE	VOLTAGE	CURRENT	WINDING RESISTANCE	INDUCTANCE	HOLDING TORQUE	
		deg./step	V	A/PHASE	Ω /PHASE	mH/PHASE	mN·m	gf·cm
BI-POLAR	KV2810	1.8	24	0.8	3.4	0.8	14.7	150
	KA5910		24	1	3.4	1.8	78.5	800

DIMENSIONS unit = mm

KV2810



KA5910

