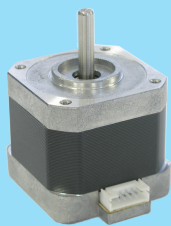


KV42

1.8°/step

□42mm NEMA17



Applications

OA, FA
Money-handling &
Banking equipment
Medical Devices

SINGLE SHAFT

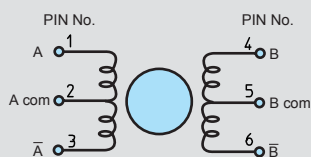
MODEL
KV4234-N2U801
KV4239-T2U801
KV4239-N2U801
KV4242-N2U801
KV4248-N2U801

* Low Vibration Type

OPTION

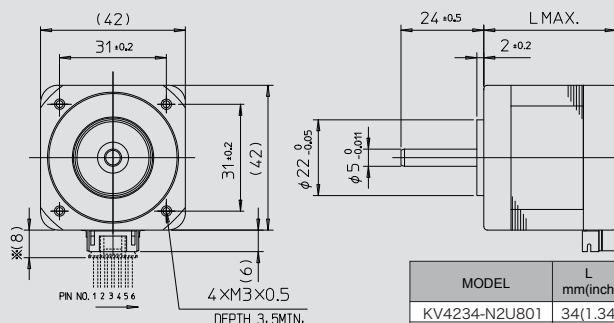
KV42LUS300

CONNECTION DIAGRAMS



PHR-6(PIN NO.)	1	2	3	4	5	6
PHASE	A	A com	\bar{A}	B	B com	\bar{B}
COLOR OF LEAD	BLACK	RED	BROWN	YELLOW	BLUE	ORANGE

DIMENSIONS Unit = mm



The KV42 motor is supplied without a leadwire assembly. This must be ordered as a separate part.

FEATURES

- High Speed · High Torque, Low Noise
- KH42-B900 Successor Model

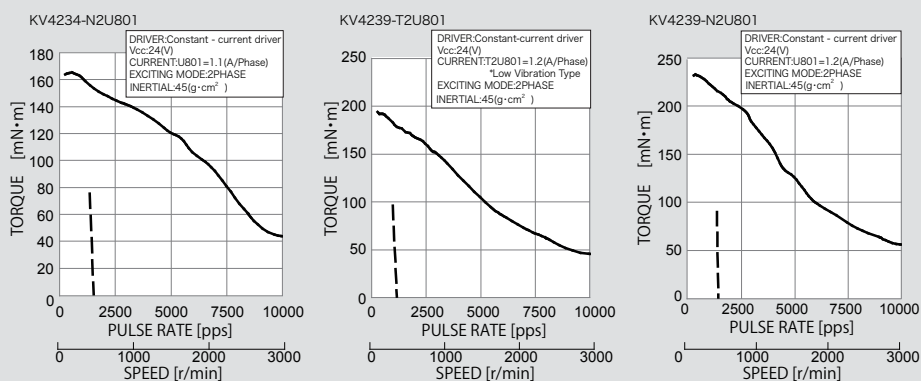
SPECIFICATIONS

STEP ANGLE ° /step	VOLTAGE V	CURRENT A/PHASE	WINDING RESISTANCE Ω/PHASE	INDUCTANCE mH/PHASE	HOLDING TORQUE mN · m	ROTOR INERTIA g · cm ²	MODEL
1.8	2.97	1.10	2.7	2.1	210	42	KV4234-N2U801
1.8	3.36	1.20	2.8	3.2	220	59	KV4239-T2U801
1.8	3.36	1.2	2.8	2.9	280	59	KV4239-N2U801
1.8	3.54	1.2	3.0	3.2	320	69	KV4242-N2U801
1.8	4.08	1.2	3.4	3.7	410	79	KV4248-N2U801

GENERAL SPECIFICATIONS

INSULATION RESISTANCE	500V DC 100MΩ min. (at normal temp. & humidity, between lead and case)
DIELECTRIC STRENGTH	500V AC 50Hz 1min. (at normal temp. & humidity, between lead and case)
AMBIENT TEMP. AND HUMIDITY	-10°C~+50°C, 5%~95%RH (noncondensing)
STORAGE TEMP. AND HUMIDITY	-20°C~+70°C, 5%~95%RH (noncondensing)
TEMPERATURE RISE	80K max (By resistance method)
POSITION ACCURACY	±10%

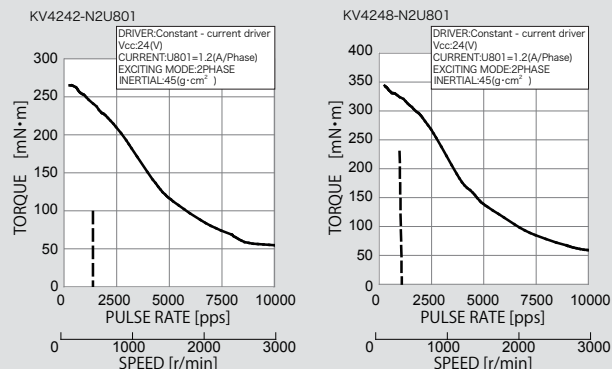
SPEED-TORQUE CHARACTERISTICS



CW viewed from rotor shaft when using the following sequence diagram.

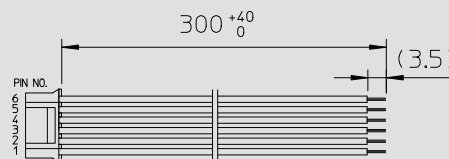
EXCITATION SEQUENCE

PHASE	1	2	3	4
A	-	-	-	-
B	-	-	-	-
\bar{A}	-	-	-	-
\bar{B}	-	-	-	-
A com	+	+	+	+
B com	+	+	+	+



OPTION (Leadwire Assembly)

MODEL: KV42LUS300



CONNECTOR SPECIFICATIONS

Maker	JST
Applicable Housing	PHR-6
Applicable Terminal	SPH-002T-P0.5S
Lead Wire	UL3266 AWG26