

KV28

1.8°/step

□28mm



Applications

FA , Medical Devices
Security equipment

SINGLE SHAFT

MODEL
KV2832-N2B951
KV2841-N2B951
KV2851-N2B951

OPTION

KV28LBS300

FEATURES

- Space saving

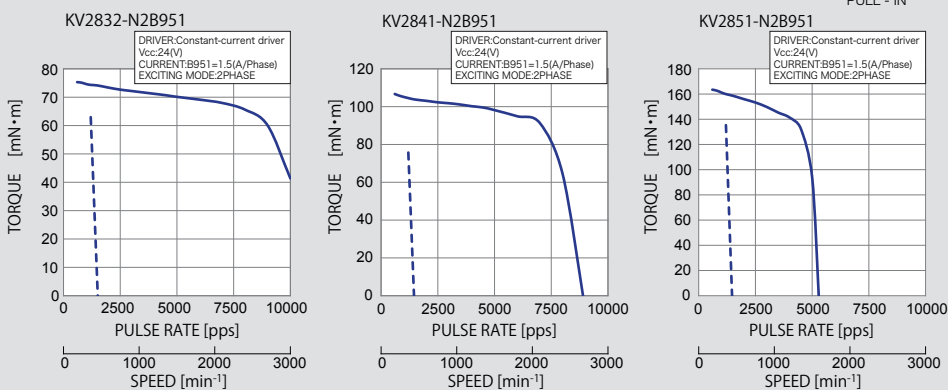
SPECIFICATIONS

STEP ANGLE ° /step	VOLTAGE V	CURRENT A/PHASE	WINDING RESISTANCE Ω/PHASE	INDUCTANCE mH/PHASE	HOLDING TORQUE mN·m	ROTOR INERTIA g·cm ²	MODEL
1.8	1.95	1.5	1.3	0.9	85	9.2	KV2832-N2B951
1.8	2.55	1.5	1.7	1.0	120	15	KV2841-N2B951
1.8	3.15	1.5	2.1	1.7	165	22	KV2851-N2B951

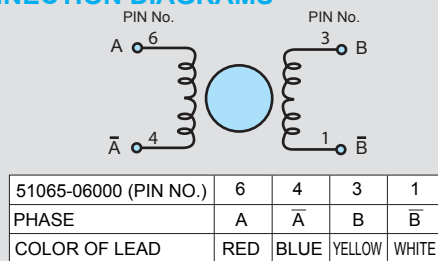
GENERAL SPECIFICATIONS

INSULATION RESISTANCE	500V DC 100MΩ min. (at normal temp.& humidity,between lead and case)
DIELECTRIC STRENGTH	500V AC 50Hz 1min. (at normal temp.& humidity,between lead and case)
AMBIENT TEMP. AND HUMIDITY	-10°C~+50°C, 5%~95%RH (noncondensing)
STORAGE TEMP. AND HUMIDITY	-20°C~+70°C, 5%~95%RH (noncondensing)
TEMPERATURE. RISE	80K max (By resistance method)
POSITION ACCURACY	±10%

SPEED-TORQUE CHARACTERISTICS



CONNECTION DIAGRAMS

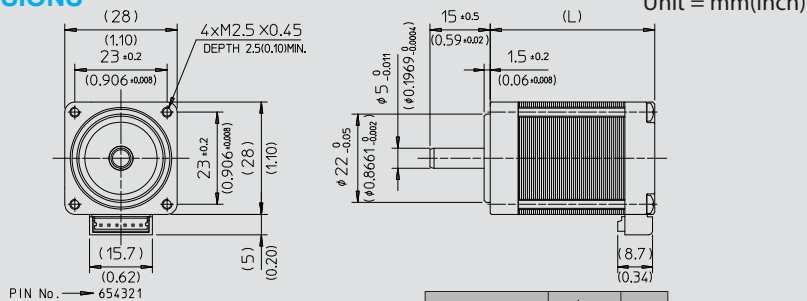


CW viewed from rotor shaft when using the following sequence diagram.

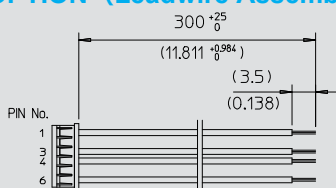
EXCITATION SEQUENCE

PHASE	1	2	3	4
6 (A)	-	+	+	-
3 (B)	-	-	+	+
4 (A)	+	-	-	+
1 (B)	+	+	-	-

DIMENSIONS



OPTION (Leadwire Assembly)



The KV28 motor is supplied without a leadwire assembly. This must be ordered as a separate part.

MODEL	L mm (inch)	mass g
KV2832-N2B951	32(1.26)	110
KV2841-N2B951	41(1.61)	140
KV2851-N2B951	51(2.01)	190

CONNECTOR SPECIFICATIONS

Maker	MOLEX
Applicable Housing	51065-0600
Applicable Terminal	50372-8000
Lead Wire	UL3266 AWG26