

3-Phase Hybrid Stepping Motor

1.2°

KT60 series TRISYN

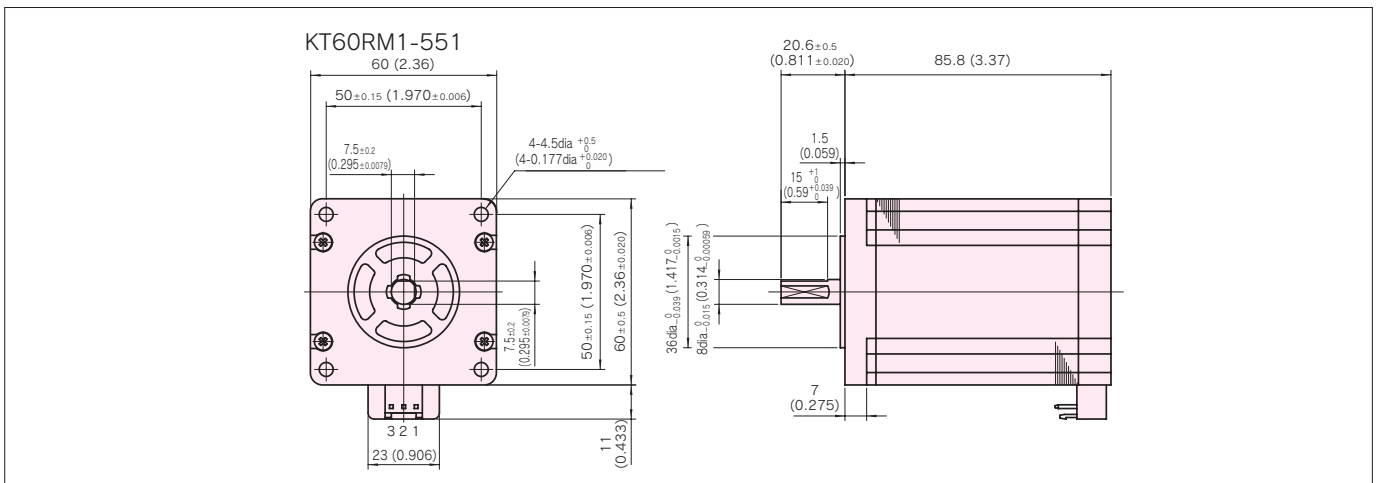
HIGH TORQUE, SILENT ROTATION

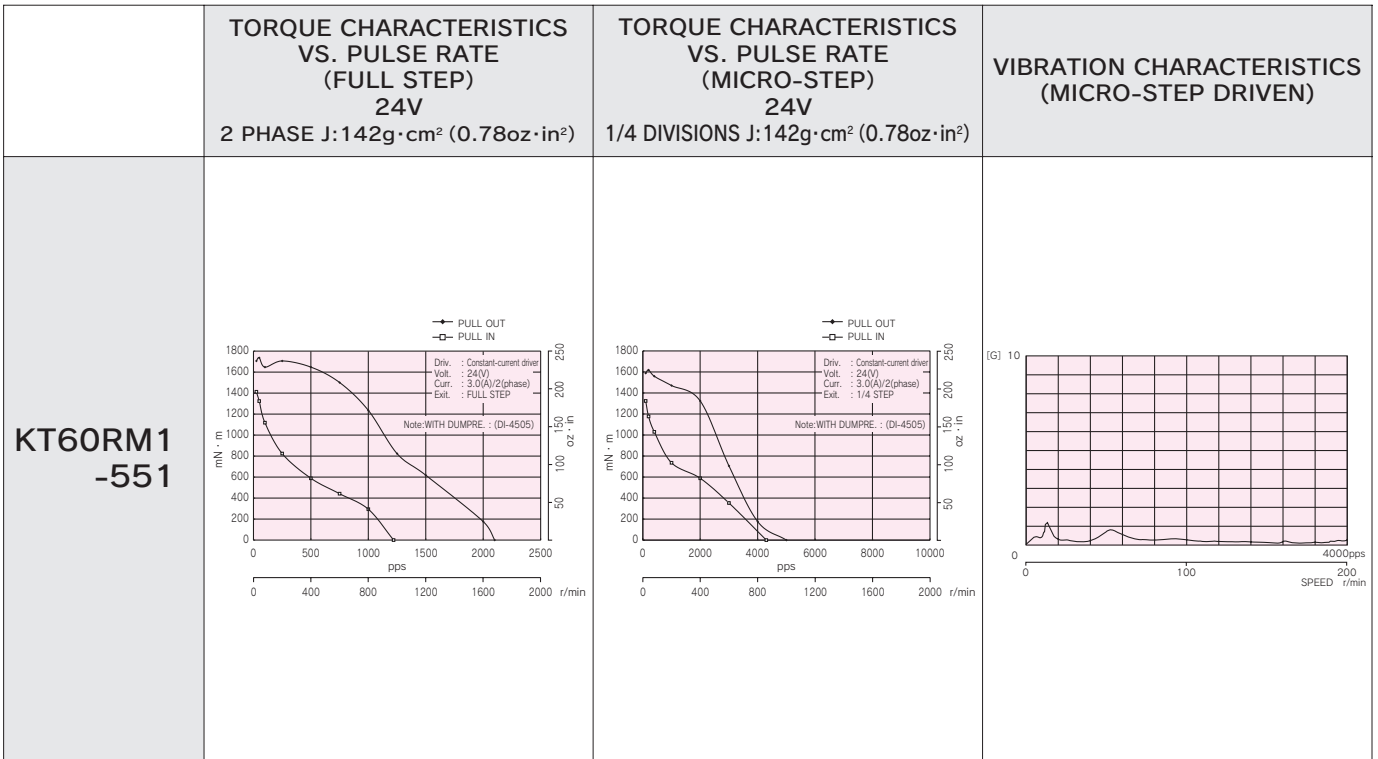
STANDARD SPECIFICATIONS

MODEL	UNIT	KT60RM1-551
		-551
DRIVE METHOD	————	BI-POLAR
NUMBER OF PHASES	————	3
STEP ANGLE	deg./step	1.2
VOLTAGE	V	6.0
CURRENT	A/2-PHASE	3.0
WINDING RESISTANCE	Ω/2-PHASE	2.0
INDUCTANCE	mH/2-PHASE	3.2
HOLDING TORQUE	mN · m	1680
	oz · in	238
DETENT TORQUE	mN · m	125
	oz · in	17.7
ROTOR INERTIA	g · cm ²	840
	oz · in ²	4.6
WEIGHTS	g	1340
	lb	3.0
INSULATION RESISTANCE	————	500VDC 100MΩmin.
DIELECTRIC STRENGTH	————	500VAC 50HZ 1min.
OPERATING TEMP. RANGE	°C	-10 to 50
ALLOWABLE TEMP. RISE	K	80



DIMENSIONS unit = mm (inch)





■ CONNECTION CABLE TO MOTOR unit = mm (inch)

