

3-Phase Hybrid Stepping Motor

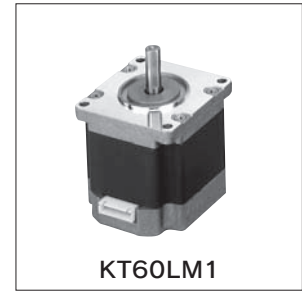
1.2°

KT60 series TRISYN

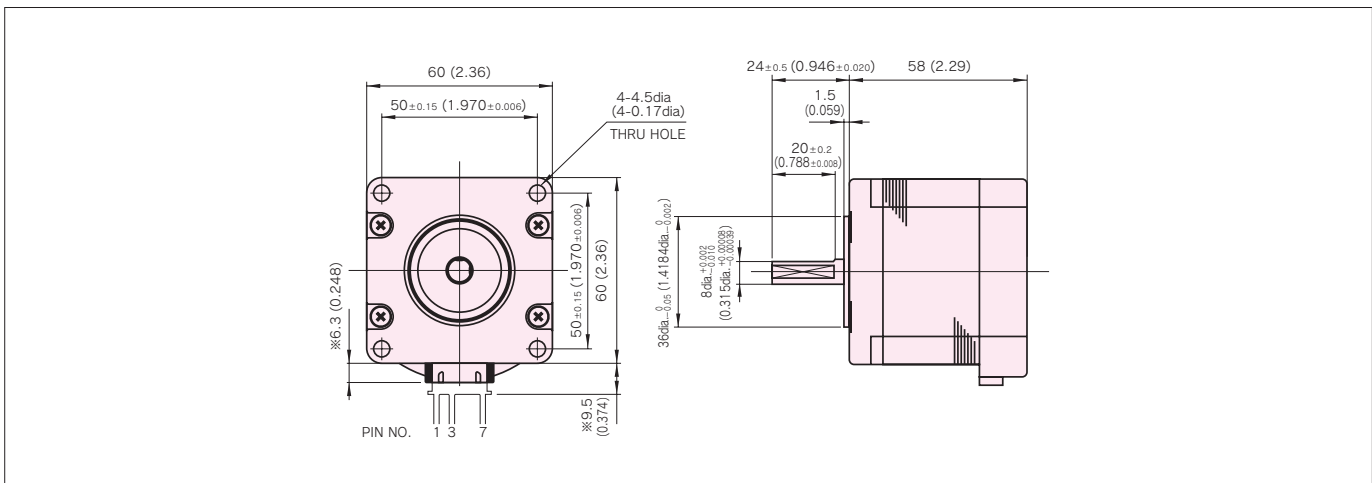
HIGH TORQUE, SILENT ROTATION

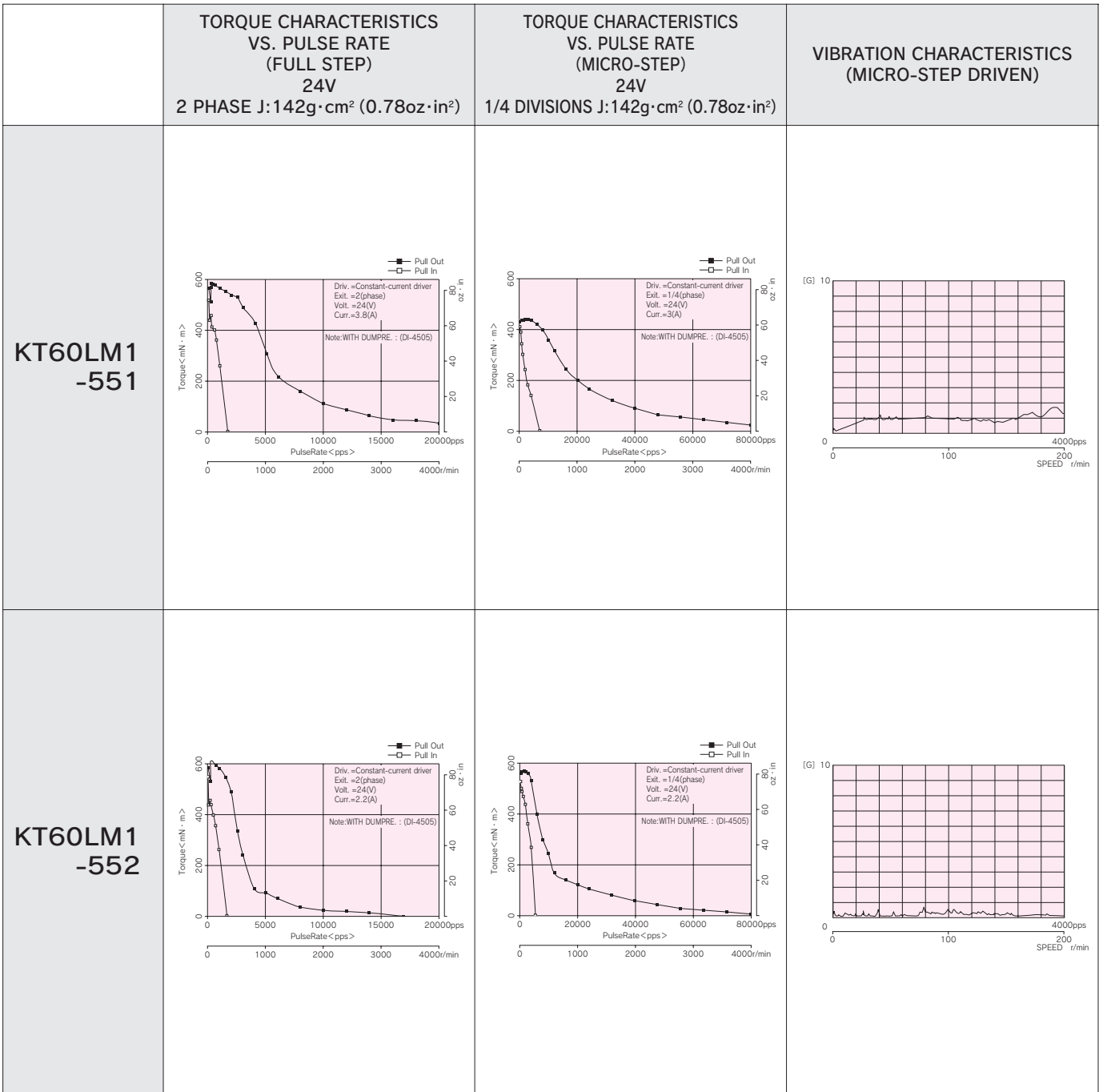
STANDARD SPECIFICATIONS

MODEL	UNIT	KT60LM1	
		-551	-552
DRIVE METHOD	————	BI-POLAR	
NUMBER OF PHASES	————	3	
STEP ANGLE	deg./step	1.2	
VOLTAGE	V	2.77	4.84
CURRENT	A/2-PHASE	3.8	2.2
WINDING RESISTANCE	Ω/2-PHASE	0.73	2.2
INDUCTANCE	mH/2-PHASE	1.0	3.3
HOLDING TORQUE	mN · m	600	600
	oz · in	85	85
DETENT TORQUE	mN · m	35	35
	oz · in	5	5
ROTOR INERTIA	g · cm ²	265	265
	oz · in ²	1.45	1.45
WEIGHTS	g	720	720
	lb	1.6	1.6
INSULATION RESISTANCE	————	500VDC 100MΩmin.	
DIELECTRIC STRENGTH	————	500VAC 50HZ 1min.	
OPERATING TEMP. RANGE	°C	0 to 50	
ALLOWABLE TEMP. RISE	K	70	



DIMENSIONS unit = mm (inch)





■ CONNECTION CABLE TO MOTOR unit = mm (inch)

