

# 3-Phase Hybrid Stepping Motor

**1.2°**

# KT35 series TRISYN

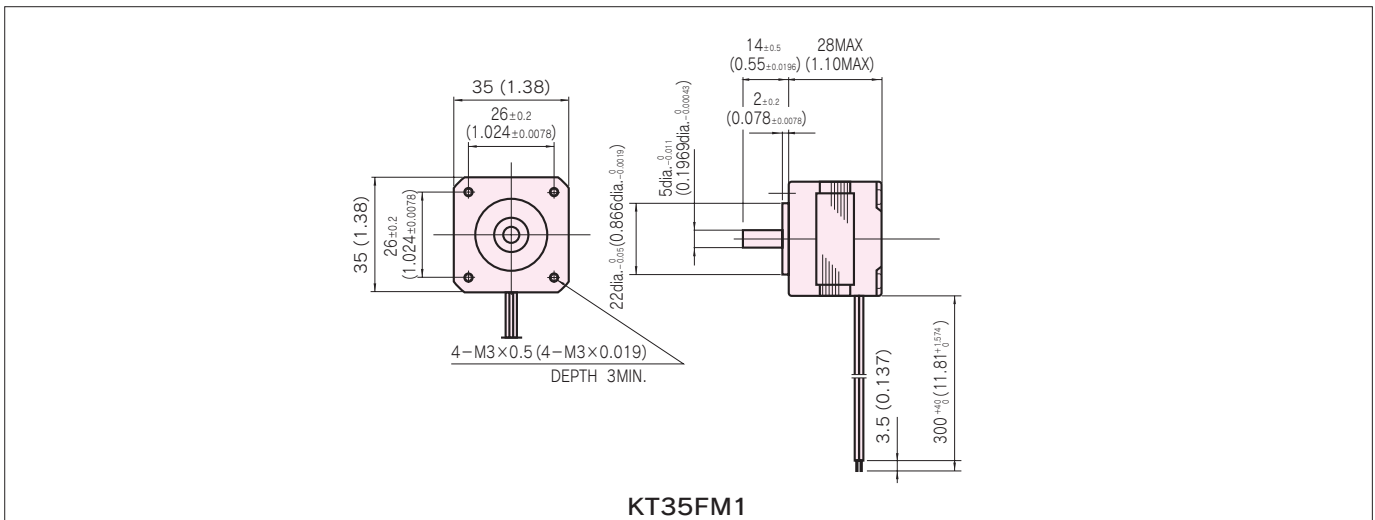
**HIGH TORQUE, SILENT ROTATION**

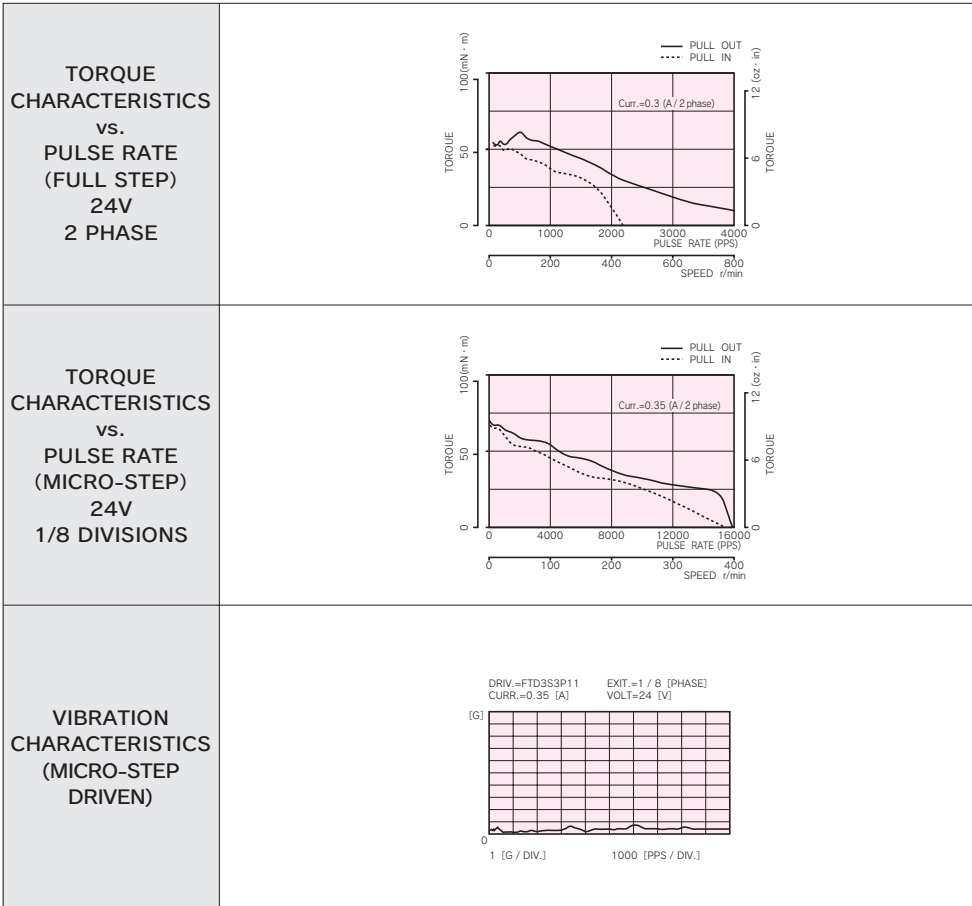
## STANDARD SPECIFICATIONS

MODEL	UNIT	KT35FM1
		-552
DRIVE METHOD	————	BI-POLAR
NUMBER OF PHASES	————	3
STEP ANGLE	deg./step	1.2
VOLTAGE	V	10.8
CURRENT	A/2-PHASE	0.3
WINDING RESISTANCE	Ω/2-PHASE	36
INDUCTANCE	mH/2-PHASE	26
HOLDING TORQUE	mN · m	58.9
	oz · in	8.3
DETENT TORQUE	mN · m	9.8
	oz · in	1.4
ROTOR INERTIA	g · cm <sup>2</sup>	8
	oz · in <sup>2</sup>	0.044
WEIGHTS	g	110
	lb	0.24
INSULATION RESISTANCE	————	500VDC 100MΩmin.
DIELECTRIC STRENGTH	————	500VAC 50HZ 1min.
OPERATING TEMP. RANGE	℃	0 to 50
ALLOWABLE TEMP. RISE	K	70

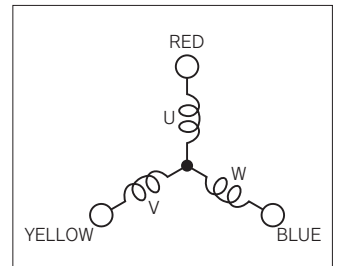


## DIMENSIONS unit = mm (inch)





**Connection Diagram**



[EXCITATION SEQUENCE]

PHASE \ STEP	1	2	3	4	5	6
U相 (U PHASE)	+	-	-			+
V相 (V PHASE)	-	-		+	+	
W相 (W PHASE)		+	+		-	-