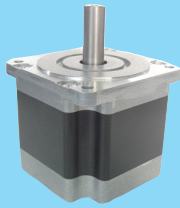


KH86

New

1.8°/step

□ 86mm



Application

- Large-size printer
- Industrial sewing machine
- Food packaging machine
- Weaving machine

SINGLE SHAFT

MODEL
KH86QM2-901
KH86QM2-902
KH86RM2-901
KH86RM2-902
KH86TM2-901
KH86TM2-902
KH86WM2-901
KH86WM2-902

DOUBLE SHAFT

MODEL
KH86QM2-911
KH86QM2-912
KH86RM2-911
KH86RM2-912
KH86TM2-911
KH86TM2-912
KH86WM2-911
KH86WM2-912

FEATURES

- Non-rare earth magnet models
- High Torque

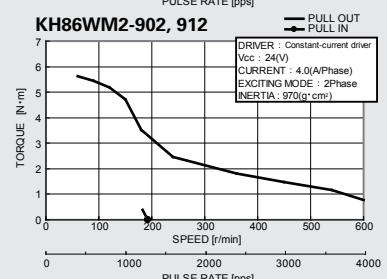
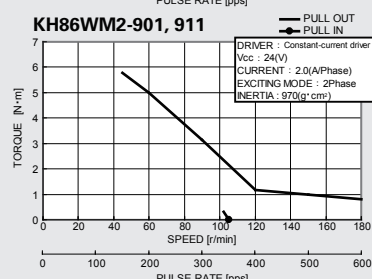
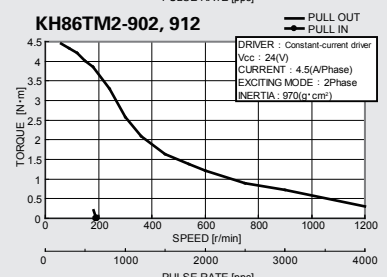
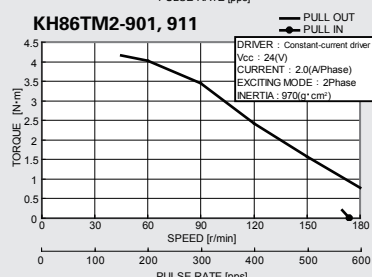
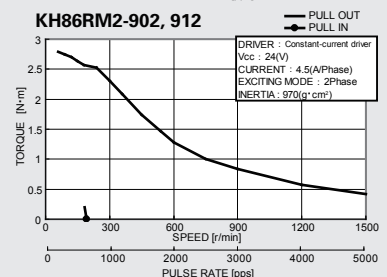
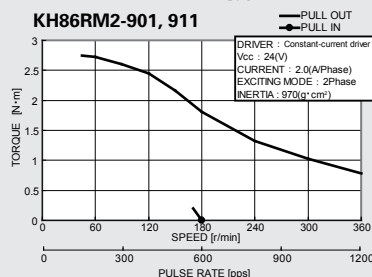
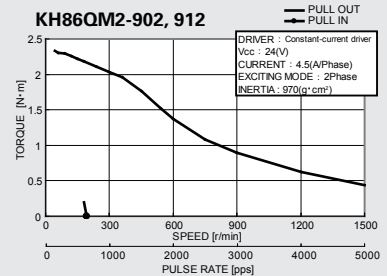
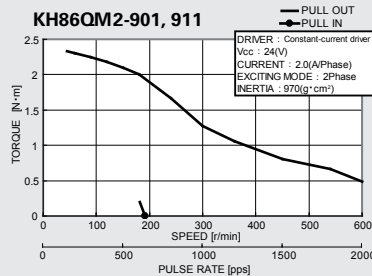
SPECIFICATIONS

STEP ANGLE deg./step	VOLTAGE V	CURRENT A/PHASE	WINDING RESISTANCE Ω/PHASE	INDUCTANCE mH/PHASE	HOLDING TORQUE		ROTOR INERTIA g·cm ²	MODEL	
					N·m	kgf·cm		SINGLE SHAFT	DOUBLE SHAFT
1.8	3.60	2.0	1.8	5.6	2.5	25.5	1800	KH86QM2-901	KH86QM2-911
1.8	2.12	4.5	0.47	1.2	2.5	25.5	1800	KH86QM2-902	KH86QM2-912
1.8	4.00	2.0	2.1	7.5	3.0	30.6	2300	KH86RM2-901	KH86RM2-911
1.8	2.20	4.5	0.5	1.5	3.0	30.6	2300	KH86RM2-902	KH86RM2-912
1.8	5.60	2.0	2.8	11.5	4.7	47.9	3700	KH86TM2-901	KH86TM2-911
1.8	2.97	4.5	0.66	2.3	4.7	47.9	3700	KH86TM2-902	KH86TM2-912
1.8	7.60	2.0	3.8	17.0	6.7	68.3	5500	KH86WM2-901	KH86WM2-911
1.8	3.80	4.0	0.95	3.6	6.7	68.3	5500	KH86WM2-902	KH86WM2-912

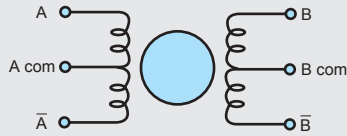
[GENERAL SPECIFICATIONS]

INSULATION RESISTANCE	500V DC 100MΩ min. (at normal temp.& humidity,between lead and case)
DIELECTRIC STRENGTH	500V AC 50Hz 1min.
AMBIENT TEMP.AND HUMIDITY	-10°C~+50°C, 5%~95%RH (noncondensing)
STORAGE TEMP.AND HUMIDITY	-20°C~+70°C, 5%~95%RH (noncondensing)
TEMPERATURE RISE	80K max (By resistance method)
POSITION ACCURACY	±10%

SPEED-TORQUE CHARACTERISTICS



CONNECTION DIAGRAMS



PHASE	A	A com	Ā	B	B com	B̄
COLOR OF LEAD	BLACK	RED	BROWN	YELLOW	BLUE	ORANGE

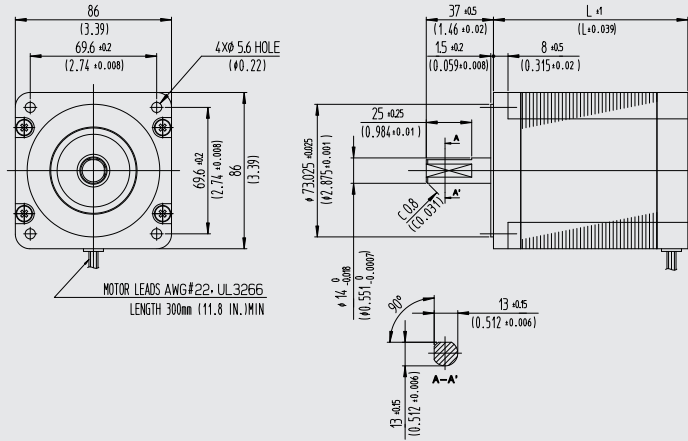
CW viewed from rotor shaft when using the following sequence diagram.

EXCITATION SEQUENCE

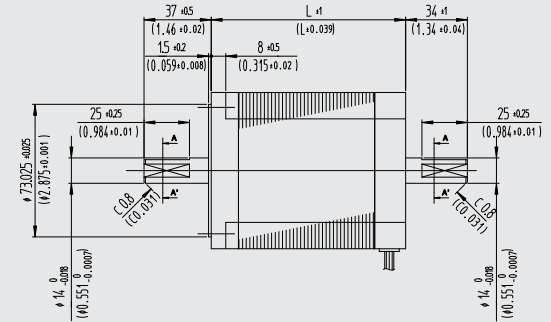
PHASE	1	2	3	4
A	-			-
B	-	-		
Ā		-	-	
B̄			-	-
A com	+	+	+	+
B com	+	+	+	+

DIMENSIONS Unit = mm(inch)

[SINGLE SHAFT]



[DOUBLE SHAFT]



MODEL	L (mm)	L (inch)	mass (kg)	weight (lb)
KH86QM2	66	2.60	2.0	4.4
KH86RM2	74	2.91	2.5	5.5
KH86TM2	96	3.78	3.0	6.6
KH86WM2	127	5.00	4.5	9.9