

2-Phase Hybrid Stepping Motor

1.8°

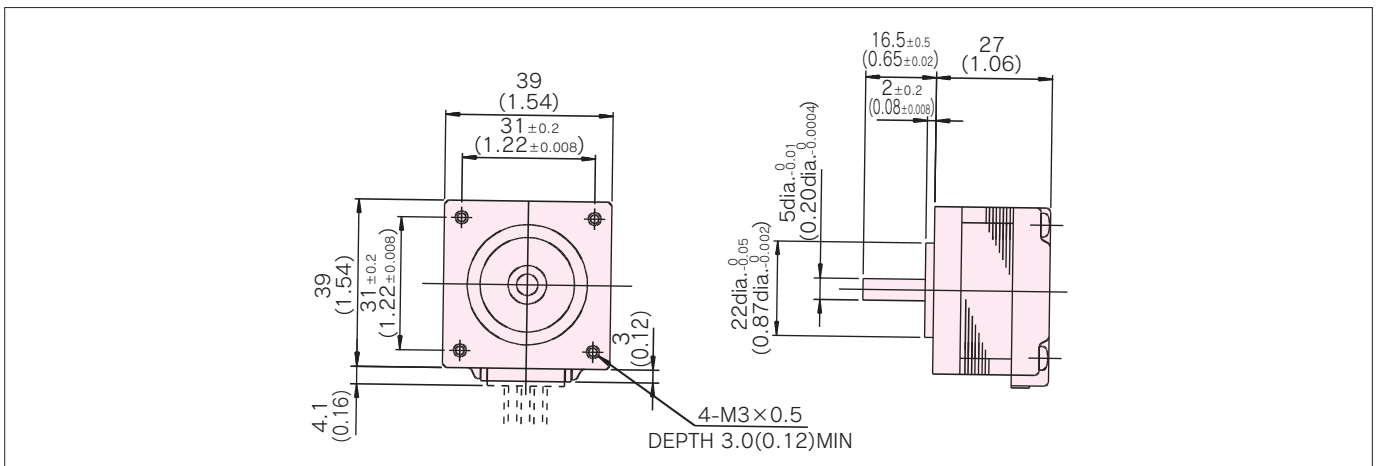
KH39 series

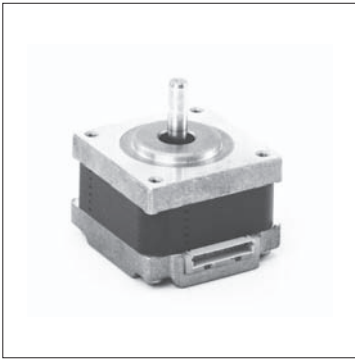
HIGH TORQUE, LOW VIBRATION AND LOW NOISE

STANDARD SPECIFICATIONS

MODEL	UNIT	KH39FM2	
		-801	-851
DRIVE METHOD	————	UNI-POLAR	BI-POLAR
NUMBER OF PHASES	————	2	2
STEP ANGLE	deg./step	1.8	1.8
VOLTAGE	V	6.3	4
CURRENT	A/PHASE	0.42	0.67
RESISTANCE	Ω/PHASE	15.0	6.0
INDUCTANCE	mH/PHASE	8.5	6.8
HOLDING TORQUE	mN·m	88	118
	oz · in	13	17
DETENT TORQUE	mN·m	9.8	9.8
	oz · in	1.4	1.4
ROTOR INERTIA	g · cm ²	19	19
	oz · in ²	0.10	0.10
WEIGHT	g	160	160
	lb	0.35	0.35
INSULATION RESISTANCE	————	500VDC 100MΩmin.	
DIELECTRIC STRENGTH	————	500VAC 50HZ 1min.	
OPERATING TEMP.RANGE	℃	0 to 50	
ALLOWABLE TEMP.RISE	K	70	

DIMENSIONS unit = mm (inch)

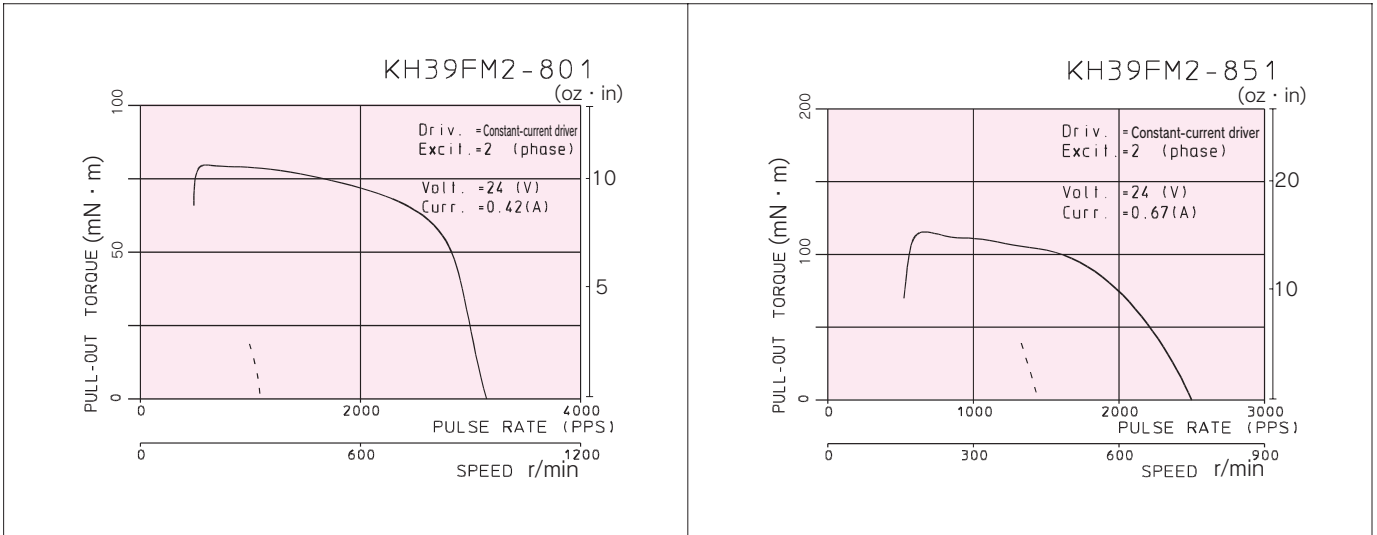




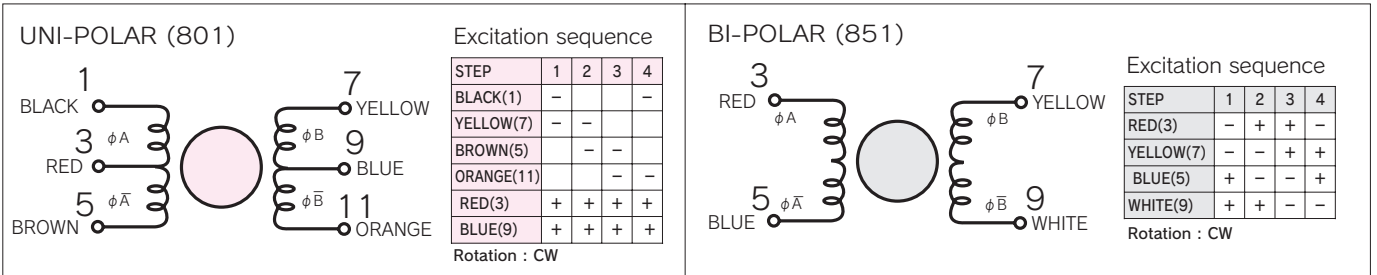
Features

1. High torque
Output is 1.3 times as high as conventional products.
2. Low noise -7dB(A) quieter than conventional products.

■ TORQUE CHARACTERISTICS vs. PULSE RATE



■ CONNECTION DIAGRAMS



■ CONNECTION CABLE TO MOTOR unit = mm (inch)

