

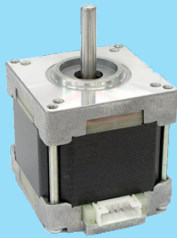
KF42

New

1.8°/step

□42mm

NEMA17



Applications

OA

FA

Money-handling & Banking equipment
Medical Devices

SINGLE SHAFT

MODEL
KF4234-EN2B801
KF4239-EN2B801
KF4239-EN2B802
KF4242-EN2B801
KF4242-EN2B802

OPTION

KV42LBS300

FEATURES

- A motor size down, achieving the torque of one size up.
※ Expanding the rotor diameter to its maximum limit within a new "flattened" structure allows the □42motor profile to be maintained.
- Large Rotor
- High Torque

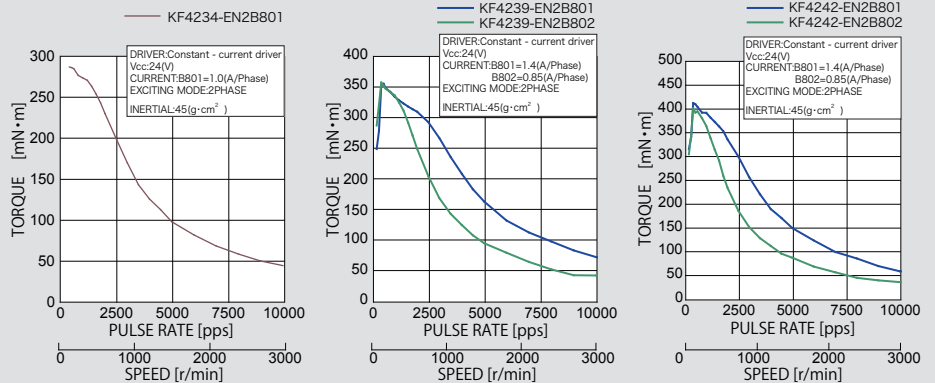
SPECIFICATIONS

STEP ANGLE ° /step	VOLTAGE V	CURRENT A/PHASE	WINDING RESISTANCE Ω/PHASE	INDUCTANCE mH/PHASE	HOLDING TORQUE mN · m	ROTOR INERTIA g · cm ²	MODEL
1.8	4.1	1.0	4.1	5.3	330	70	KF4234-EN2B801
1.8	3.08	1.4	2.2	2.7	400	100	KF4239-EN2B801
1.8	4.85	0.85	5.7	6.9	400	100	KF4239-EN2B802
1.8	3.36	1.4	2.4	4.0	460	145	KF4242-EN2B801
1.8	5.36	0.85	6.3	10.0	460	145	KF4242-EN2B802

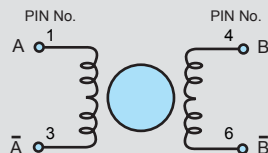
GENERAL SPECIFICATIONS

INSULATION RESISTANCE	500V DC 100MΩ min. (at normal temp.& humidity,between lead and case)
DIELECTRIC STRENGTH	500V AC 50Hz 1min. (at normal temp.& humidity,between lead and case)
AMBIENT TEMP. AND HUMIDITY	-10°C~+50°C, 5%~95%RH (noncondensing)
STORAGE TEMP. AND HUMIDITY	-20°C~+70°C, 5%~95%RH (noncondensing)
TEMPERATURE RISE	80K max (By resistance method)
POSITION ACCURACY	±10%

SPEED-TORQUE CHARACTERISTICS



CONNECTION DIAGRAMS



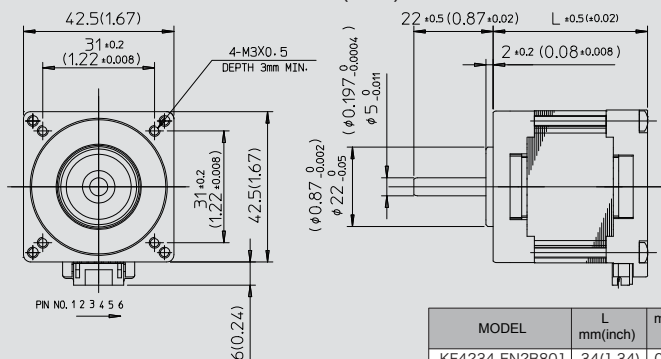
PHR-6 (PIN NO.)	1	3	4	6
PHASE	A	Ā	B	B̄
COLOR OF LEAD	RED	BLUE	YELLOW	WHITE

CW viewed from rotor shaft when using the following sequence diagram.

EXCITATION SEQUENCE

PHASE	1	2	3	4
A	-	+	+	-
B	-	-	+	+
Ā	+	-	-	+
B̄	+	+	-	-

DIMENSIONS Unit = mm(inch)



The KF42 motor is supplied without a leadwire assembly. This must be ordered as a separate part.

MODEL	L mm(inch)	mass kg
KF4234-EN2B801	34(1.34)	0.23
KF4239-EN2B801	39(1.54)	0.29
KF4239-EN2B802	39(1.54)	0.29
KF4242-EN2B801	42(1.66)	0.33
KF4242-EN2B802	42(1.66)	0.33

OPTION (Leadwire Assembly)

MODEL : KV42LBS300



CONNECTOR SPECIFICATIONS

Maker	JST
Applicable Housing	PHR-6
Applicable Terminal	SPH-002T-P0.5S
Lead Wire	UL3266 AWG26