

DC Axial Fan  
Fixed Blade Type  
**G0938B**



□92×38 (□3.6"×1.5")  
Max. airflow : 3.9 m<sup>3</sup>/min  
Max. static pressure : 490 Pa  
Mass : 320 g

Fan model code

**G0938B48B9ZP-00**

■ Standard specification

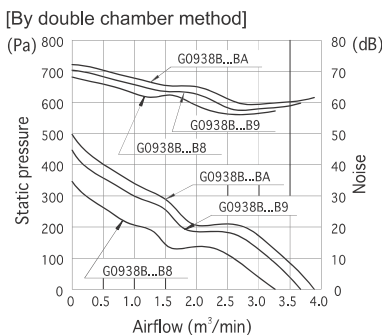
Max. airflow		Max. static pressure		Noise dB	Speed min <sup>-1</sup>		Voltage spec. V		Current mA		Model code	Operating Temp. Range°C
m <sup>3</sup> /min	CFM	Pa	inH <sub>2</sub> O		Max.	Min.	Rating	Operating Range	Rating	Starting		
3.6	127	440	1.77	61	7000	2000	48	36-55.2	520	1100	<b>G0938B48B9ZP-00</b>	-20 ~ +60

- Figures in the table are average measured values. Please request the product delivery specification when preparing a purchase specification.
- The characteristics are the values at rated voltage (48 V), and normal temperature and humidity.
- Max. CFM and max static pressure points coincide at max rotational speed.

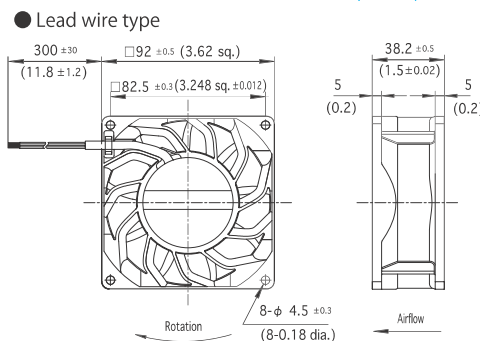
■ General specification

Materials Used	Venturi: Aluminum alloy die castings Propeller: ABS and PBT synthetic resins Bearing: Both side shielded ball bearing
Motor	Brushless DC motor, Protection type: Current shut off by detecting lock state, automatically reset
Common Elec. Spec.	See pages G-11, G-12, G-13.

■ Standard airflow and static pressure characteristics (At rated voltage)

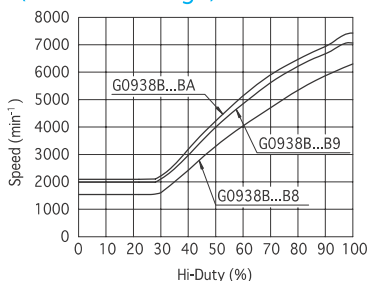


■ External dimensions in mm (inches)



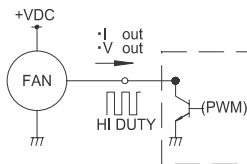
Lead wire spec. AWG24 UL3266  
 Color (+) Red  
 (-) Black  
 (Sensor) Yellow  
 (Speed control) Blue

■ PWM speed control specification (At rated voltage)

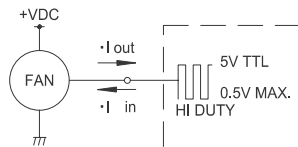


■ Speed performance (At rated vol., Free air condition) Specification (Room temperature)

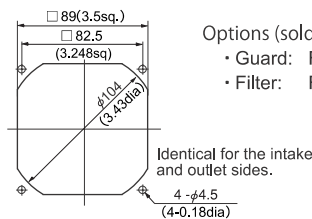
CASE 1  
 -I out 1mA Max.  
 -V out 5V Max.  
 -V Losat 0.5V Max.  
 FREQUENCY 500Hz-5kHz



CASE 2  
 -I out 1mA Max.  
 -I in 1mA Max.  
 FREQUENCY 500Hz-5kHz



■ Mounting hole dimensions in mm (inches) [Recommendation]



Options (sold separately)  
 • Guard: F92UL guard  
 • Filter: F92 filter

- Our company can meet many of your requirements for customization, such as special connectors, other sensors not listed above, variable speed specifications, and other modifications. Please contact us during your product planning and development stage.
- The listed products are registered in the following overseas standards files, UL/ cUL: E48889, TUV: R50004410

Fan model code
D0925C12B8ZP-00
D0925C24B8ZP-00
D1225C12BBZP-00
D1225C24BBZP-00
D1238B48B7ZP-00
D1751M48B6ZP-00
D1751M24B5ZP-00
D1751S24B9ZP300
D1751S24B6ZP-00
G0938B48B9ZP-00
G1238B12BBZP-00
G1238B24BBZP-00
G1238B48BBZP-00
G1238B24BAZP-00
G1751M24B9ZP300
G1751M48B9ZP-00

Blowers
E1033L12BFZP-00
E1033L12BEZP-00
E1033H24BAZP-00
E2271Z48B7ZP-00

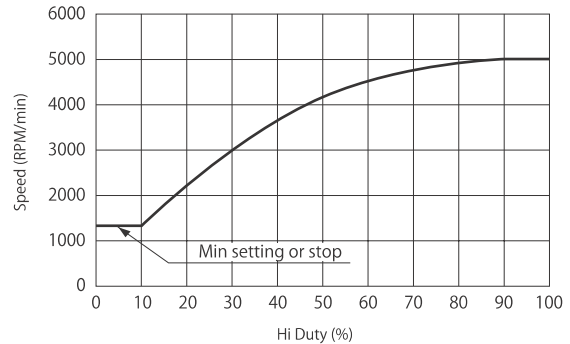
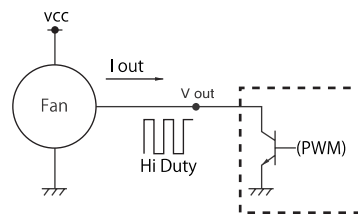
## Lineup of PWM variable-speed semi-standard products

- A PWM signal from the customer equipment is input to the control line (blue) of the fan motor for variable-speed operation of fans and blowers. (Input and noise can be reduced when the internal temperature of the customer equipment is low, such as during idling.)
- Sizes  
Axial fans: □92 mm~□172 mm  
Blower: □97 mm~φ220 mm

## Characteristics for reference (The characteristics are typical characteristics and their curves will differ, depending on the particular model)

- Standard values for PWM control signal - speed specification (at rated voltage, open, and normal temperature and humidity)

I <sub>out</sub>	1 mA MAX.
V <sub>out</sub>	5 V MAX.
V <sub>L0sat</sub>	0.4 MAX.
Freq.	500 Hz~5000 Hz

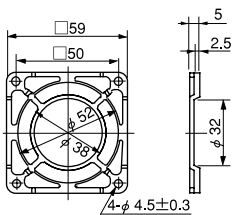


## Semi-standard products (Products in regular production)

Size	Model Code	Max. Airflow		Max. Static Pressure		Noise	Speed min <sup>-1</sup>		Voltage Spec. V		Operating Temp. Range °C
		m <sup>3</sup> /min	CFM	Pa	inH <sub>2</sub> O		Max.	Min.	Rating	Operating Range	
□92×25mm	D0925C12B8ZP-00	2	71	67	0.27	40	4450	1000	12	10.2-13.2	-20 ~ 60°C
	4450						1750	24	21.6-26.4		
□120×25mm	D1225C12BBZP-00	4.25	150.1	150	0.6	50.5	5400	1000	12	10.2-13.8	-20 ~ 60°C
	24								20.4-27.6		
□119×38mm	D1238B48B7ZP-00	4.4	155	170	0.68	54	4000	1250	48	40.8-55.2	-20 ~ 70°C
φ172×150×51mm	D1751M48B6ZP-00	10.2	360	315	1.27	64	4800	1000	48	36-60	-20 ~ 70°C
	D1751M24B5ZP-00	9	318	260	1.04	61	4200	1000	24	12-27.6	
φ172×51mm	D1751S24B9ZP300	14.2	501	640	2.57	68	6800	3200	24	16-28	-20 ~ 60°C
	D1751S24B6ZP-00	10.2	360	335	1.35	59	4800	1000	24	12-27.6	
□92×38mm	G0938B48B9ZP-00	3.6	127	440	1.77	61	7000	2000	48	36-55.2	-20 ~ 60°C
□119×38mm	G1238B12BBZP-00	7.4	261	520	2.09	67	6300	1000	12	9.6-13.8	-20 ~ 60°C
	24								16.8-27.6		
	48								36-55.2		
	24								16.8-27.6		
φ172×150×51mm	G1751M24B9ZP300	11.2	395	780	3.13	74	6800	3200	24	16-28	-20 ~ 70°C
	48								36-60		
97×95×33mm	E1033L12BFZP-00	1.55	55	1400	5.63	66	6900	1800	12	10.8-12.6	-20 ~ 70°C
	E1033L12BEZP-00	1.45	51	1200	4.82	64	6400	1600	12	10.8-13.2	
	E1033H24BAZP-00	1.14	40	500	2.01	58	4850	1800	24	16-26.4	
φ220×71mm	E2271Z48B7ZP-00	18.1	639	600	2.41	74	3200	1000	48	36-57	-20 ~ 60°C

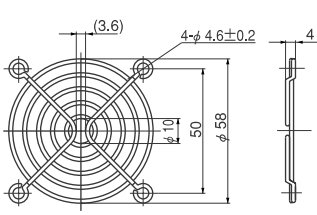
- Aside from the above models, please see also the high pressure, variable speed G series fans. Details may be found in specs G-31 to G-36.
- The lineup of variable-speed fans and blowers will be expanded regularly. Visit the Website for information on the latest lineup.
- Direct your inquiry to us for connector termination to lead wires, for sensor specifications other than those contained in the catalog and for variable speed specifications. (Products tailored to voltage command control and resistance value command control are also available)
- To ensure correct installation and smooth operation please obtain a drawing for approval or reference drawing from our company.

**F60P Guard (Mass 4 g)**



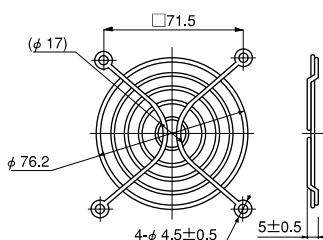
Material: Polycarbonate (black)  
UL94V-2

**F60UL Guard (Mass 12 g)**



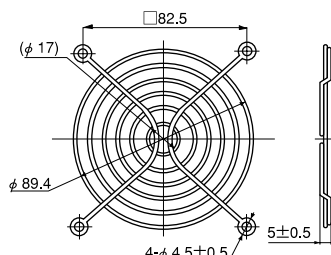
Material: Mild steel wire 1.6 dia.  
Surface treatment:  
Nickel chromium plating

**F80UL Guard (Mass 14 g)**



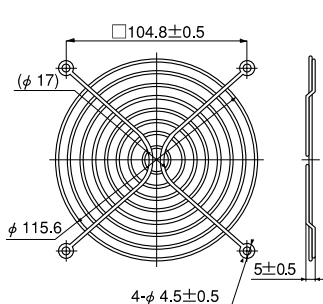
Material: Mild steel wire 1.6 dia.  
Surface treatment:  
Nickel chromium plating

**F92UL Guard (Mass 16 g)**



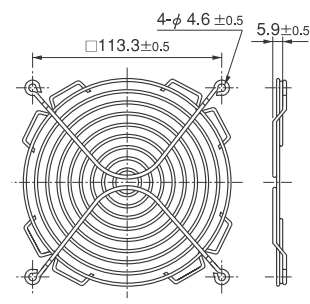
Material: Mild steel wire 1.6 dia.  
Surface treatment:  
Nickel chromium plating

**F120UL Guard (Mass 29 g)**



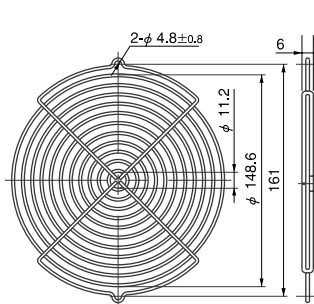
Material: Mild steel wire 1.6 dia.  
Surface treatment:  
Nickel chromium plating

**F127UL Guard**



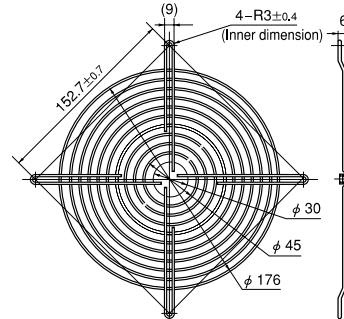
Material: Mild steel wire 1.6 dia.  
Surface treatment:  
Nickel chromium plating

**GUARD 172**



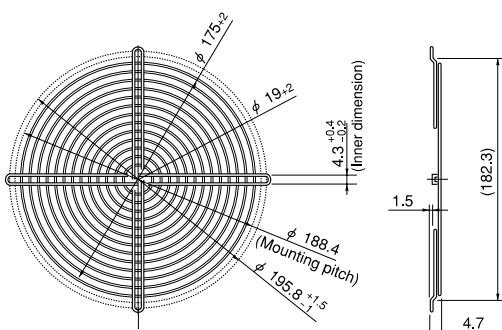
Material: Mild steel wire 2 dia.  
Surface treatment:  
Nickel chromium plating

**F180UL Guard**



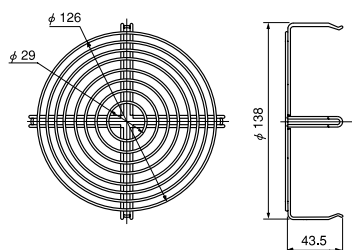
Material: Mild steel wire 1.6 dia.  
Surface treatment:  
Nickel chromium plating

**F200UL Guard (Mass 82 g)**



Material: Mild steel wire 1.6 dia.  
Surface treatment:  
Nickel chromium plating

**SCN Guard (Mass 55 g)**



Material: Mild steel wire 1.6 dia.  
Surface treatment:  
Nickel chromium plating

• Guard special for intake side of  
SCN (metal venturi) fans.

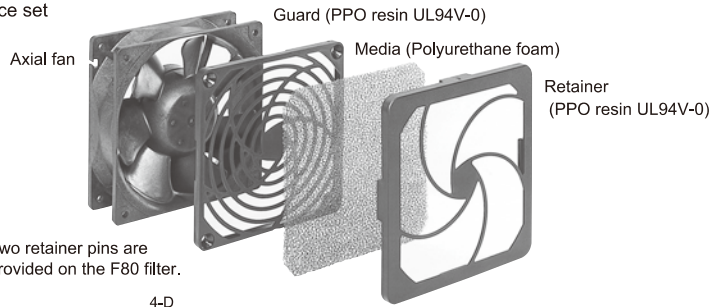
**List of mating fan series**

Guard	F60P	F60UL	F80UL	F92UL	F120UL	F127UL	GUARD 172	F180UL	F200UL	SCN
AC Axial Fans					○*1					○*2
SCN										
VE			○							
WE				○						
KA				○						
CU					○					
CN					○					
MA							○			
PA							○			
TUDC	○	○								
PUDC			○							
KUDC				○						
DO925C				○						
KLDC				○						
CUDC					○					
D1225C					○					
CNDC					○					
D1238T					○					
D1238B					○					
D1338B						○				
D1338S						○				
D1751M							○			
D1751S							○			
G0638D		○								
G0838C			○							
G0938B				○						
G1238B					○					
G1751M							○			

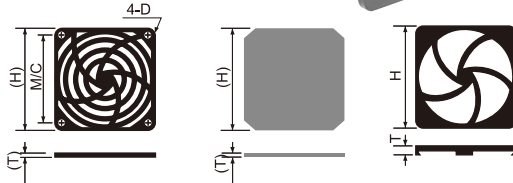
\*1: Can be installed only on outlet side. \*2: Can be installed only on intake side.  
All guards conform to the UL standard when combined with our company fans.  
The installation of a filter, guard and other accessories will constitute a ventilating load, reducing the airflow. Select a suitable guard, taking into consideration the increase in air resistance. (See Figs. 12 and 13 on page G-7.)

## Filter

3-piece set



Note: Two retainer pins are provided on the F80 filter.



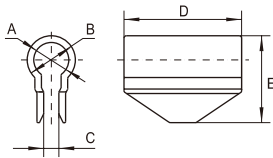
## List of mating fan series

Filter	F80	F92	F120
PUDC	○		
D0925C		○	
KLDC		○	
D1225C			○
CNDC			○
D1238B			○
G0838C	○		
G0938B		○	
G1238B			○

Filter	F80	F92	F120
VE	○		
WE		○	
KA		○	
CU			○
CN			○

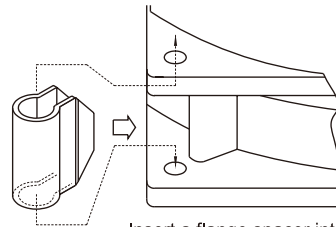
Component (Model Code)	H	T	M/C	D
<b>F80 Filter</b>	83.5	10	71.4	φ 4.5
<b>F92 Filter</b>	96.5	11	82.6	φ 3.8
<b>F120 Filter</b>	123.7	11	104.8	φ 4.4

## Flange spacer



Component (Model Code)	A mm	B mm	C mm	D mm	E mm	Mating Model Code
<b>Flange Spacer PUDC</b> (※)	5	8	2	17	14.5	KUDC, PUDC
<b>Flange Spacer CNDC</b>	8	11	3.5	28	19.8	CNDC

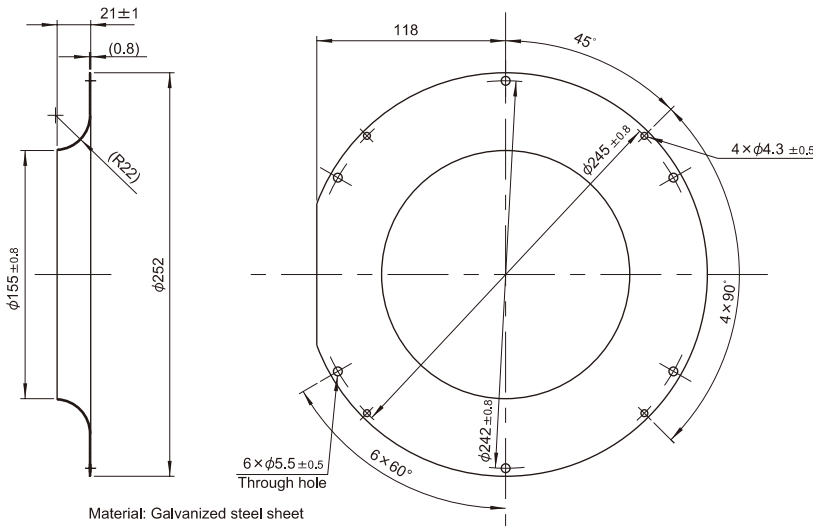
※Ribbed venturis (PUDC-R) are available for PUDC



Insert a flange spacer into the ribs of a venturi.

(Installing a flange spacer)

## Inlet ring



Material: Galvanized steel sheet

Component (Model Code)	Mating Model Code
<b>E2271 Inlet ring</b>	E2271Z

DC axial fans & blowers with sensors

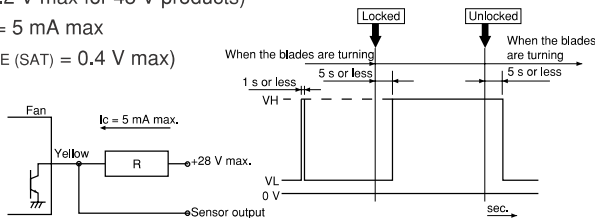
The DC fans and blowers of our company have a function to send an alarm signal when the fan motor revolutions slow down. Several systems are used to cut off the system power supply by this alarm signal, with three types of sensors available. Select the right type of sensor in accordance with the purpose of use. The lead wire for the sensor is yellow. The output type is an open collector output for all three types.

■ Sensor type

1. Lock detection type (Product code: S)

The output signal indicates an [L] state (transistor is ON) while the propeller is rotating, changing to an [H] state (transistor is OFF) less than five seconds after the propeller stops rotating. The propeller automatically restarts operation within five seconds when the lock is unlocked. ([H] → [L] 5 s). If the pull-up voltage is live, the [H] state (transistor is OFF) will engage in less than five seconds, even when the power is turned off.

- Specification:  $V_{CE} = 28\text{ V max}$  ( $55.2\text{ V max}$  for 48 V products)
- Output waveform
- $I_C = 5\text{ mA max}$
- $(V_{CE(SAT)} = 0.4\text{ V max})$

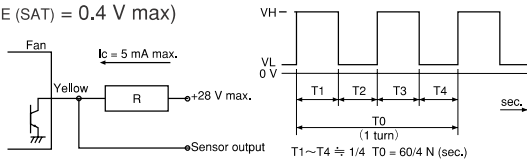


※When the power is turned on, the state sometimes becomes high [H] for several hundred ms.

2. Pulse output type (Product code: P)

A rectangular wave of two pulses will be output for each turn of the propeller while the propeller is rotating, outputting two types of signal depending on the propeller position when the propeller is locked. (See the note below ※)

- Specification:  $V_{CE} = 28\text{ V max}$  ( $55.2\text{ V max}$  for 48 V products)
- Output waveform
- $I_C = 5\text{ mA max}$
- $(V_{CE(SAT)} = 0.4\text{ V max})$



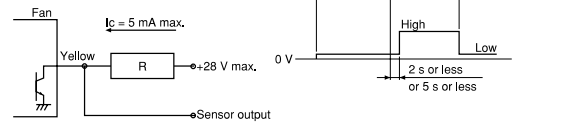
※Output signal waveform when the fan is stopped: The following two types of waveform are output, depending on the blade position when the propeller is stopped:  
Pulse outputs of High - constant or restart timing (0.05 Hz to 2 Hz).

3. Speed detection type (Product code: Q)

The output signal indicates the [H] state when the propeller revolutions are slower than the preset speed, changing to the [L] state when the propeller revolutions exceed the reset speed.

[Products with a reversed output waveform are also available, suitable for a wired OR connection when several fans are installed. Contact us for further information. {Former code: SQ, new code (15 - digit code products): R} ]

- Specification:  $V_{CE} = 28\text{ V max}$  ( $55.2\text{ V max}$  for 48 V products)
- Output waveform
- $I_C = 5\text{ mA max}$
- $(V_{CE(SAT)} = 0.4\text{ V max at } 5\text{ mA})$



Note: The output waveform for type SQ (R) will be reversed. The speed setting for the alarm output is about half the rated speed. For more detailed information, please request a product delivery specification from us.