

DMN29 Series



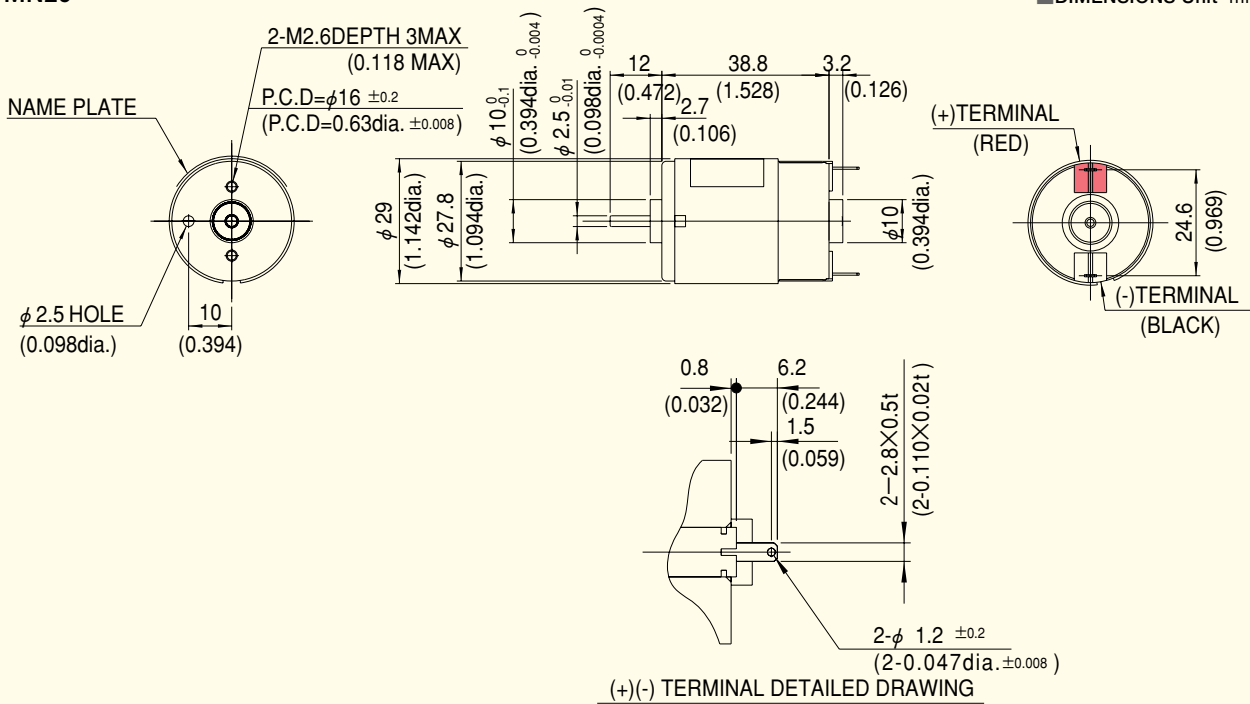
Specification

TYPE	RATED						NO LOAD		STALL		WEIGHT	
	OUT PUT	VOLTAGE	TORQUE		CURRENT	SPEED	CURRENT	SPEED	TORQUE		g	lb
	W	V	mN·m	oz·in	A	r/min	A	r/min	mN·m	oz·in		
DMN29BA	3.0	12	7.8	1.11	0.42	3700	0.07	5000	30	4.17	90	0.20
DMN29BB	3.0	24	7.8	1.11	0.21	3700	0.05	5000	30	4.17	90	0.20

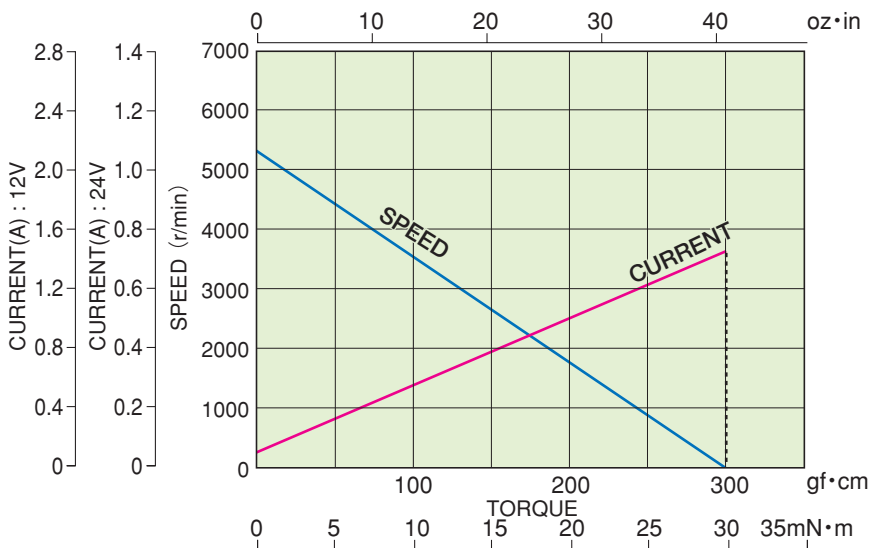
Outline

DMN29

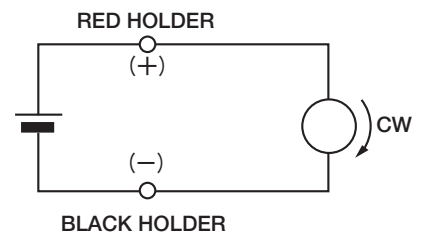
■ DIMENSIONS Unit mm(inch)



CURRENT, SPEED-TORQUE CURVE



CONNECTION



A

Intermittent Operation



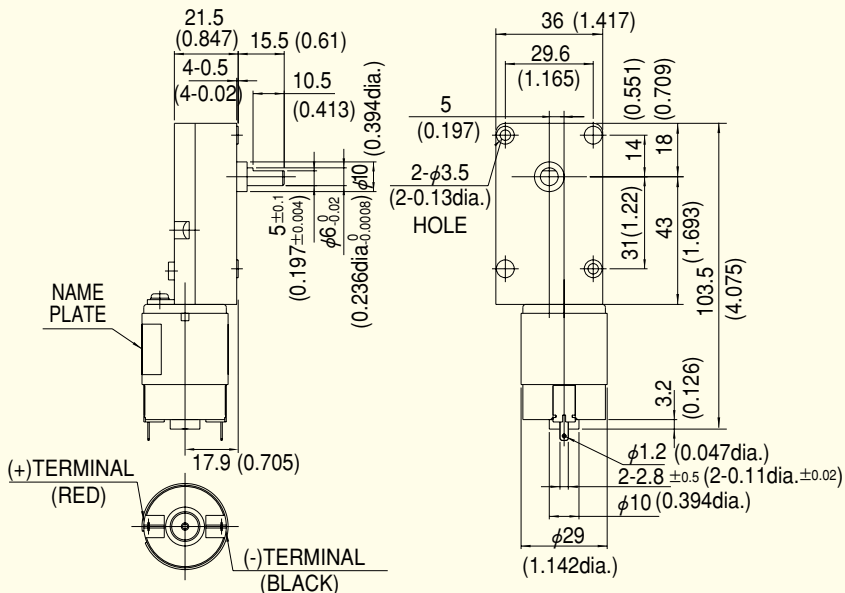
Specification

GEAR RATIO	DMN29BA-002 DMN29BA-003		
	RATED TORQUE		SPEED
	N·m	oz·in	r/min
* 78.9	0.190	27.8	56

*Rotation of gearbox shaft is in reverse of rotation of motor.

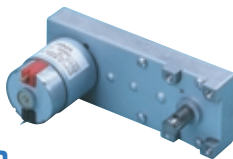
Outline

DMN29BA-002, 003 WEIGHT:140g 0.31 lb ■DIMENSIONS Unit mm(inch)



L

Intermittent Operation



Specification

GEAR RATIO	DMN29BL□◇		
	RATED TORQUE		SPEED
	N·m	oz·in	r/min
30	0.14	19.5	123
50	0.23	32.0	74.0
120	0.56	77.9	30.8
150	0.69	90.8	24.7
200	0.92	131	18.5
255	0.98	139	15.3

*Enter the required reduction ratio in the □.
*Enter the required voltage A or B in the ◇.

Outline

DMN29BL□◇ WEIGHT:250g 0.55 lb ■DIMENSIONS Unit mm(inch)

