

**GentleTyphoon™**  
**D1225C**



□ 120 × 25 (□ 4.7" × 1.0")

Max. airflow: 1.65 m<sup>3</sup>/min  
Max. static pressure: 20 Pa  
Mass: 200g

**Fan model code**

**D1225C12B4AZ-00**

**D1225C12B5AZ-00**

**D1225C12B6AZ-00**

**D1225C24B4AZ-00**

**D1225C24B5AZ-00**

**D1225C24B6AZ-00**

**Features**

- Wide low-noise range (noise reduced in high density devices)
- 2-way vibration reduction (lowers resonant noise of entire device)
- Energy Efficient (wide reduction compared to previous model)
- Design to improve sound (for low speed applications)
- Sensors Available (lock, pulse)
- Variable speed available (PWM, voltage resistance)

**Standard specification**

Max. Airflow		Max. Static Pressure		Noise	Speed	Voltage Spec. V		Current mA		Model Code	Operating Temp. Range °C
m <sup>3</sup> /min	CFM	Pa	inH <sub>2</sub> O	dB	r/min	Rating	Operating Range	Rating	Starting		
1.95	69	28	0.113	30*	2150	12	5.0-13.2	123	530	<b>D1225C12B6AZ-00</b>	-10 ~ +60
						24	12.0-26.4	100	230	<b>D1225C24B6AZ-00</b>	
1.65	58	20	0.081	26*	1850	12	5.0-13.2	83	360	<b>D1225C12B5AZ-00</b>	
						24	12.0-26.4	45	190	<b>D1225C24B5AZ-00</b>	
1.30	46	13	0.051	19*	1450	12	7.0-13.2	49	210	<b>D1225C12B4AZ-00</b>	
						24	12.0-26.4	29	100	<b>D1225C24B4AZ-00</b>	

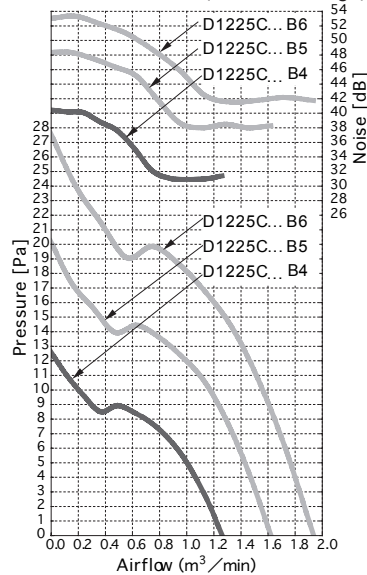
- \* Noise values shown (at 1m) were converted as follows subtract 12dB from actual noise measurements taken at 25 cm (as shown in the noise graph below).
- Figures in the table are average measured values. Please request the product delivery specification when preparing a purchase specification.
  - The characteristics are the values at rated voltage (12 V or 24 V), and normal temperature and humidity.
  - the only venturi shape available for these products is ribbed flange.
  - Depending on quantities, Our company can meet many of your requirements for customization, such as special connectors, sensors, variable speed specifications and other modifications. Please contact us for more information.
  - This fan is specially designed for long life. At rated voltage and in continuous operation the expected life is 4 speed model :60,000 hours at 60°C, 5,6 speed model :55,000 hours at 60°C, 6 speed 24V model :45,000 hours at 60°C.

**General specification**

Materials Used	Venturi: PBT-ABS synthetic resins Propeller: PBT-ABS synthetic resins Bearing: Both side shielded ball bearing
Motor	Brushless DC motor, Protection type: Current shut off by detecting lock state, automatically reset
Common Elec. Spec.	See pages G-11, G-12, G-13.
Standard Carton	60 to a carton of (450 x 380 x 300) mm, mass 13 kg

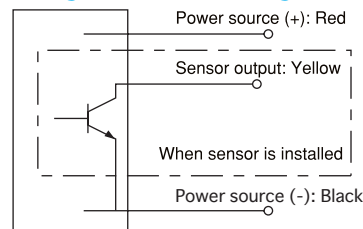
- Each of the eight flanged ribs has "nut insert" receptacles for the M4 nuts (not included) which allow for easy attachment.

**Standard airflow and static pressure characteristics** (At rated voltage)



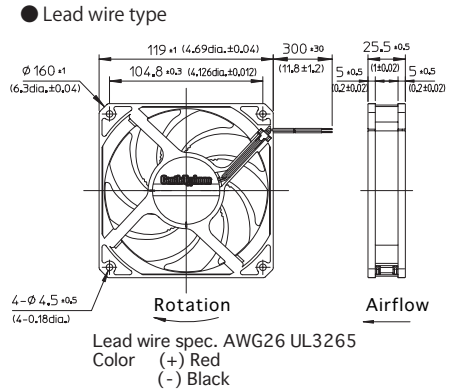
Noise values shown (at 1m) were converted as follows subtract 12dB from actual noise measurements taken at 25cm (as shown in the noise graphs below).

**Wiring connection diagram**

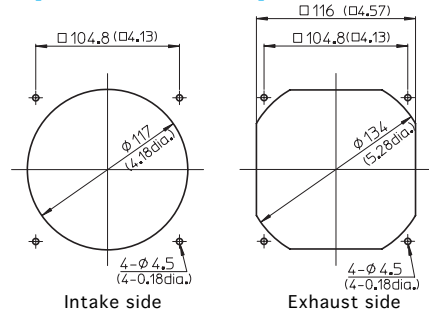


- Our company can meet many of your requirements for customization, such as special connectors, other sensors not listed above, variable speed specifications, and other modifications. Please contact us during your product planning and development stage.
- The listed products are registered in the following overseas standards files, UL/cUL: E48889, TUV: R50004410

**External dimensions** in mm (inches)



**Mounting hole dimensions [Recommendation]** in mm (inches)



- Options (sold separately)
- Guard: F120UL guard
  - Filter: F120 filter